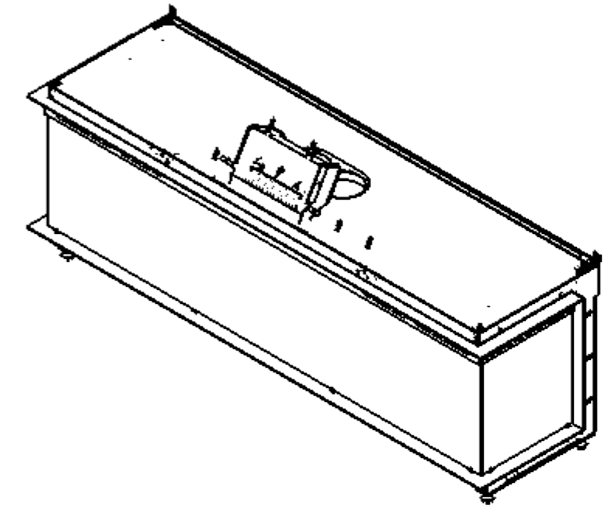
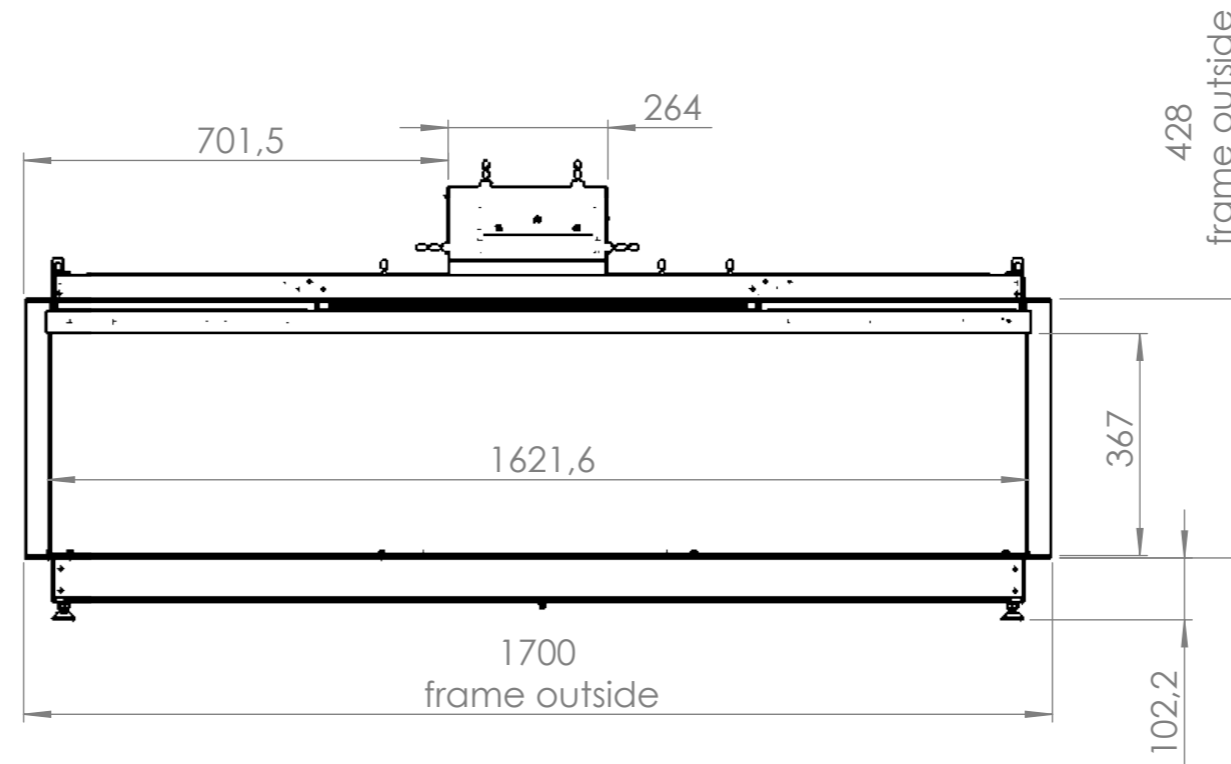
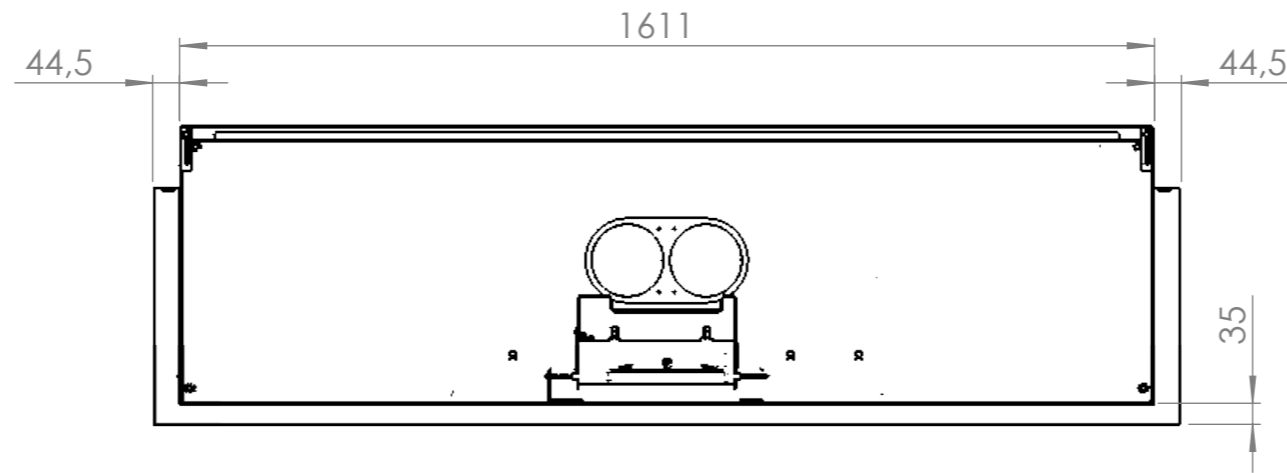
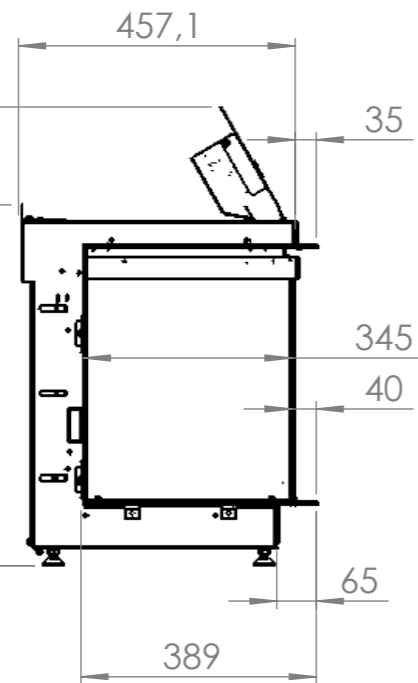


758,3
Height including atmos heating

596,7
Height excluding atmos heating



Note:
Minimum of 2mm clearance around frame.
All materials must withstand a temperature of minimum 80 degrees.
A minimum of 100 cm² of free area is required.
Ventilation must be provided at both the bottom and top of the housing.

KALFIRE
FIREPLACES

Treatment:

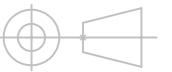
Material:

Mass (Kg):
109.57

Date:
4-4-2023

Author:
MM

Third Angle Projection
ISO 128-Method A



Description:

E-ONE 160 3S

Document number:
KF05129

Rev.:
00

Scale:
1:12,5 A3

Size:
A3

Page:
1/1

All rights reserved. All dimensions in mm.
Copyrighted / Reprints prohibited. Kal-fire BV.

State : In Progress